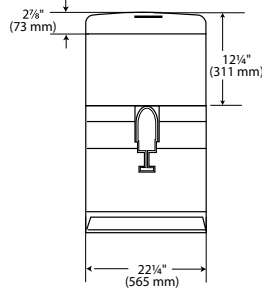




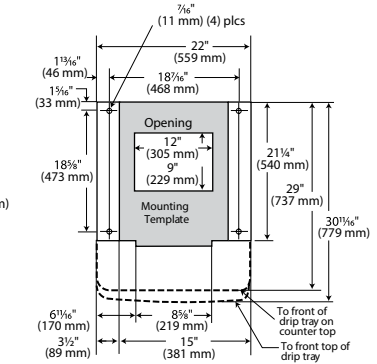
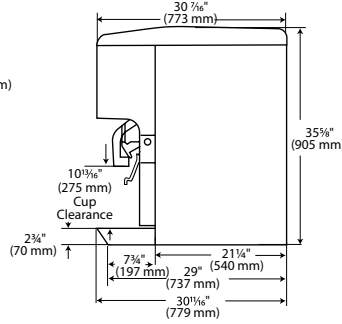
IOD150 ICE ONLY OR WATER/ICE DISPENSER



Front



Side



Recommended counter opening size 9" (229 mm) x 12" (305 mm) for utilities and tubing. Opening can be located anywhere within the shaded area.

Counter Opening

Operating Requirements

	MINIMUM	MAXIMUM
	60 Hz	
Ambient temp. Range Air	50°F (10°C)	100°F (38°C)
Water temp.	40°F (4.4°C)	
Water Pressure	20 PSIG (1.4BAR)	60 PSIG (4.1BAR)

Dimensions

ALL MODELS	
W x D x H (in.)	22.25 x 30.69 x 35.62
W x D x H (mm)	565 x 779 x 905

Specifications

Model Number	Dispenser Operation	Bin Storage lbs (kg)	Voltage Characteristics	No. of Wires	Min. Circuit Ampacity	Maximum Fuse Size	Approximate Shipping Weight lbs (kg)
IOD150	Push Bar	150(68)	115/60/1	Cord	3.0	15	139(63)

Notes:
 number of Wires: 3 (including ground)
 Approx. Shipping Weight lbs (kg): (63) 39

All specifications and performance data are subject to normal manufacturing variances.

Ice-O-Matic's® machines are not designed for outdoor installations. Ice-O-Matic® remote condensers are designed for outdoor installations.

Machine requires voltage indicated on rating nameplate. Failures caused by improper voltage are not considered factory defects. Extended periods of operation at temperature exceeding limitations constitutes misuse under the terms of Ice-O-Matic® Manufacturer's limited Warranty, resulting in a loss of warranty coverage. Specifications and design are subject to change without notice.

Av. La Paz 913, Col. Centro, Guadalajara, Jal. C.P. 44100

Tel. (33) 3345-0650 ventas@servinox.com.mx

www.servinox.com.mx



Servinox Todo Para Tu Negocio



Servinox GDL



[servinox_todoparatunegocio](https://www.instagram.com/servinox_todoparatunegocio)

